

# MULTIPLUS-II GX

INVERTER/CHARGER  
3000VA ~ 5000VA



**HmT**  
electrical

 **victron energy**  
BLUE POWER

# Multiplus-II GX Inverter/Charger



hmteltec.com



Multiplus-II GX

## Multiplus-II GX

The Multiplus-II GX is an all-in-one device that combines three essential functions:

**Inverter:** It can convert DC (direct current) power from a battery bank or other sources (like solar panels) into AC (alternating current) power, which is used to operate household appliances and electrical devices.

**Charger:** The device can also charge the battery bank from an AC power source, like a generator or grid connection. This allows for efficient battery charging and proper maintenance.

**Power Control System:** The GX in the product name stands for "Global eXtender," which signifies the built-in GX technology. The Multiplus-II GX is equipped with advanced power management and monitoring capabilities. It allows users to control and monitor the system remotely through various communication interfaces like Bluetooth, Wi-Fi, Ethernet, and CAN bus. Additionally, it is compatible with Victron's Remote Management Portal (VRM) and other monitoring solutions.



Connection area

## Uninterrupted Power Supply

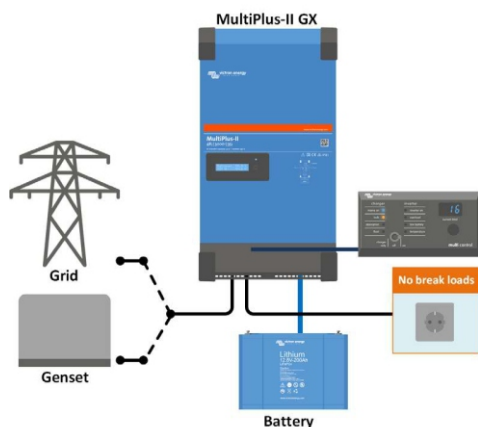
**Uninterrupted Power Supply (UPS) Functionality:** In case of a power outage, the Multiplus-II GX can provide uninterrupted power to critical loads by swiftly switching from grid or generator power to battery power, ensuring a continuous and reliable power supply.

## A MultiPlus-II with LCD and GX functionality

The MultiPlus-II GX integrates a MultiPlus-II inverter/charger and a GX device with a 2 x 16 character display.

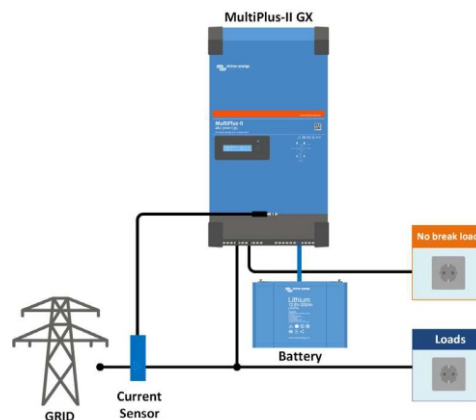
The integrated GX device includes:

- A BMS-Can interface. This can be used to connect to a compatible CAN-bus managed battery. Please note that this is not a VE.Can compatible port.
- A USB port
- A Ethernet port
- A VE.Direct port



### Standard marine, mobile and off-grid application

Loads that should shut down when AC input power is not available can be connected to a second output (not shown). These loads will be taken into account by the PowerControl and PowerAssist function in order to limit AC input current to safe value when AC power is available.



### Standard mobile or off-grid application with external current sensor

Maximum current sensing range: 50A resp 100A

# Multiplus-II GX Inverter/Charger



hntelec.com

## Display & Wi-Fi

The display reads battery, inverter and solar charge controller parameters. The same parameters can be accessed with a smartphone or other Wi-Fi enabled devices.

## Parallel & three phase operation

Only one GX unit is required in case of Parallel and three phase operation.

## Energy Management System:

The Multiplus-II GX incorporates an advanced energy management system that allows for intelligent power distribution and optimization. It can be programmed to prioritize certain loads, maximize self-consumption of solar energy, or reduce grid dependency.

## Remote Monitoring and Control

The Multiplus-II GX is equipped with built-in Ethernet and Wi-Fi connectivity, enabling remote monitoring and control via Victron's VRM (Victron Remote Management) portal or the VictronConnect mobile app. This allows users to access system information, perform diagnostics, and adjust settings from anywhere with an internet connection.

## Expansion Options

The Multiplus-II GX can be expanded with additional Victron Energy products, such as solar charge controllers, battery monitors, and other system components. This allows for the creation of comprehensive and customized energy systems tailored to specific requirements.

## Applications

The Multiplus-II GX is available in different power ratings to suit various system sizes and needs. It is commonly used in residential, commercial, and industrial setups where reliable and efficient power conversion and battery management are required.



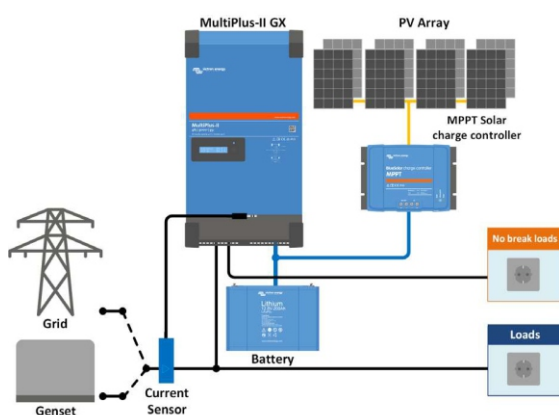
### VRM Portal

This free remote monitoring website (VRM) will display all your system data in a comprehensive graphical format. System settings can be changed remotely via the portal.



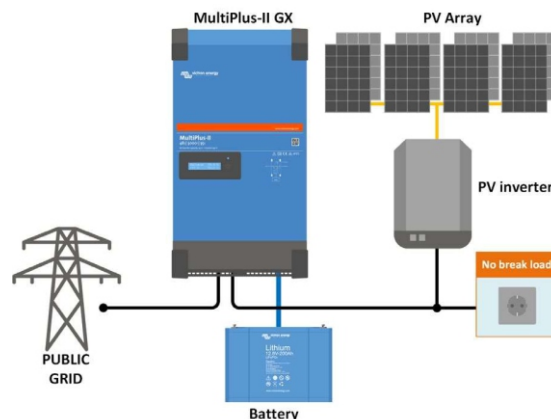
### VRM app for Wi-Fi

Monitor and manage your Victron Energy system from your smart phone and tablet. Available for both iOS and Android.



### Grid parallel topology with MPPT solar charge controller

The MultiPlus-II will use data from the external AC current sensor (must be ordered separately) or power meter to optimise self-consumption and, if required, to prevent grid feed. In case of a power outage, the MultiPlus-II will continue to supply the critical loads.



### Grid in-line topology with PV inverter

PV power is directly converted to AC. The MultiPlus-II will use excess PV power to charge the batteries or to feed power back into the grid, and will discharge the battery or use power from the grid to supplement a shortage of PV power. In case of a power outage, the MultiPlus-II will disconnect the grid and continue to supply the loads.



MultiPlus-II GX	24/3000/70-32	48/3000/35-32	48/5000/70-50
PowerControl & PowerAssist	Yes		
Transfer switch	32 A		50 A
Maximum AC input current	32 A		50 A
Auxiliary output	Yes (32 A)		
<b>INVERTER</b>			
DC Input voltage range	19 – 33 V		38 – 66 V
Output	Output voltage: 230 VAC ± 2 % Frequency: 50 Hz ± 0,1 % (1)		
Cont. output power at 25 °C (3)	3000 VA		5000 VA
Cont. output power at 25 °C	2400 W		4000 W
Cont. output power at 40 °C	2200 W		3700 W
Cont. output power at 65 °C	1700 W		3000 W
Maximum apparent feed-in power	3000 VA		5000 VA
Peak power	5500 W		9000 W
Maximum efficiency	94 %	95 %	96 %
Zero load power	13 W	11 W	18 W
Zero load power in AES mode	9 W	7 W	12 W
Zero load power in Search mode	3 W	2 W	2 W
<b>CHARGER</b>			
AC Input	Input voltage range: 187-265 VAC Input frequency: 45 – 65 Hz		
Charge voltage 'absorption'	28,8 V		57,6 V
Charge voltage 'float'	27,6 V		55,2 V
Storage mode	26,4 V		52,8 V
Maximum battery charge current (4)	70 A	35 A	70 A
Battery temperature sensor	Yes		
<b>GENERAL</b>			
Interfaces	BMS-Can, USB, Ethernet, VE.Direct, Wi-Fi		
External AC current sensor (optional)	50 A		100 A
Programmable relay (5)	Yes		
Protection (2)	a – g		
VE.Bus communication port	For parallel and three phase operation, remote monitoring and system integration		
General purpose com. port	Yes, 2x		
Remote on-off	Yes		
Operating temperature range	-40 to +65 °C (fan assisted cooling)		
Humidity (non-condensing)	max 95 %		
<b>ENCLOSURE</b>			
Material & Colour	Steel, blue RAL 5012		
Protection category	IP22		
Battery-connection	M8 bolts		
230 V AC-connection	Screw terminals 13 mm <sup>2</sup> (6 AWG)		
Weight	20 kg		31 kg
Dimensions (hxwx d) mm	506 x 275 x 147		565 x 323 x 148
<b>STANDARDS</b>			
Safety	EN-IEC 60335-1, EN-IEC 60335-2-29, EN-IEC 62109-1, EN-IEC 62109-2		
Emission, Immunity	EN 55014-1, EN 55014-2 EN-IEC 61000-3-2, EN-IEC 61000-3-3 IEC 61000-6-1, IEC 61000-6-2, IEC 61000-6-3		
Uninterruptible power supply	IEC 62040-1		
Anti-islanding	Please consult the certificates on our website.		
1) Can be adjusted to 60 Hz	3) Non-linear load, crest factor 3:1		
2) Protection key:	4) Up to 25 °C ambient		
a) output short circuit	5) Programmable relay which can be set for general alarm, DC under voltage or genset start/stop function.		
b) overload	AC rating: 230 V / 4 A, DC rating: 4 A up to 35 VDC and 1 A up to 60 VDC		
c) battery voltage too high			
d) battery voltage too low			
e) temperature too high			
f) 230 VAC on inverter output			
g) input voltage ripple too high			